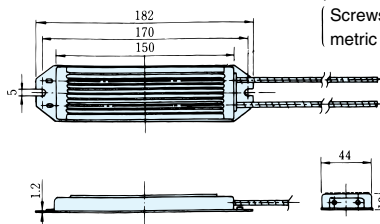
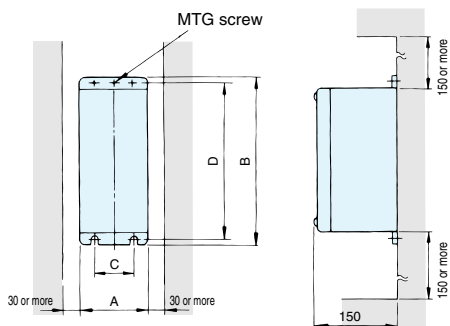


Braking resistor unit ERF-150WJ

Note: Prepare mounting screws
(2-M4x8 tapped screws).
(Screws 8mm or more and general
metric screws cannot be used.)



Braking resistors unit



Voltage	Model LKEB-□	Dimensions in mm					MTG.screw	Approx. weight kg
		A	B	C	D			
200 V class	20P7	105	275	50	260	M5x3	3.0	
	21P5	130	350	75	335	M5x4	4.5	
	22P2	130	350	75	335	M5x4	4.5	
	40P7	130	350	75	350	M5x4	5.0	
	25P5	250	350	200	335	M6x4	7.5	
	27P5	350	350	200	335	M6x4	8.5	
400 V class	40P7	105	275	50	260	M5x3	3.0	
	41P5	130	350	75	335	M5x4	4.5	
	42P2	130	350	75	335	M5x4	4.5	
	43P0	130	350	75	335	M5x4	5.0	
	43P7							
	45P5	250	350	200	335	M6x4	7.5	
47P5	350	350	200	335	M6x4	8.5		